

## Accessories: Mounting unit BMS CU-P-D12-AD18-00

### Common Data

Version

Sensor holder for 1 rod  $\varnothing 12$  mm  
or 10x10 mm

Usable with

for cylindrical sensors M18

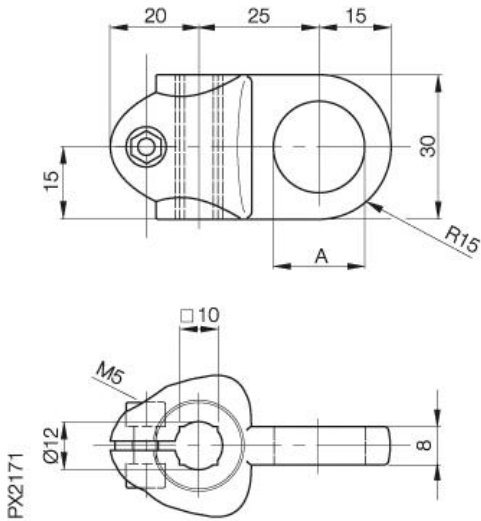
### Mechanical Data

Measurements WxHxD or Dia x D

60x30x30

Material

POM



Datasheet number::

Definitions see general catalog.

If not otherwise noted, ratings according to  
IEC 60947-5-2 (DIN EN60947-5-2)

Balluff GmbH  
Schurwaldstrasse 9  
73765 Neuhausen a.d.F.  
Phone (07158) 173-0 Fax (07158) 5010

Datenblatt by CD-ROM - 04/2007

**BALLUFF**  
sensors worldwide